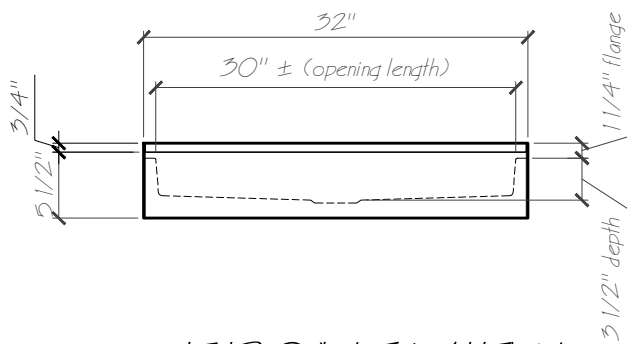
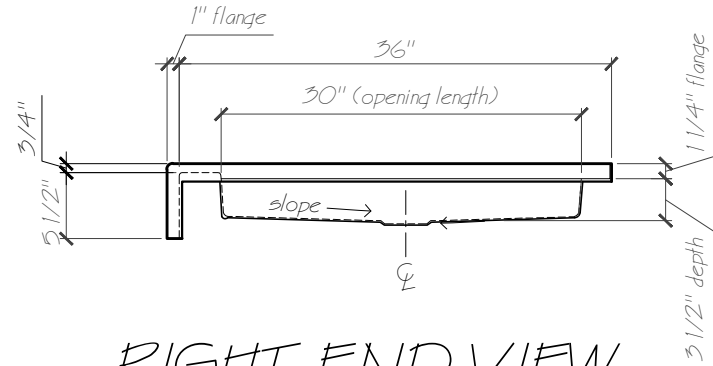


PLAN VIEW



FRONT VIEW



RIGHT END VIEW



Name: SB3236 (Shower Base 32" X 36")

Date: 20-08-12

Scale: 3/4" = 1"

File: SB3236-3d.dwg

Drawn: AA Jimenez



Phone: 604-854-5757

Fax: 604-852-1850