



### Blackcomb

Combination Unit

9' - 108" x 42"

The Blackcomb is designed to replace the separate tub and shower unit. The deep soaker tub is contoured for comfort with sculpted arm rests and lumbar back support. This unique design will add style and convenience to your bathroom. Ask us about shower door options for this unit.



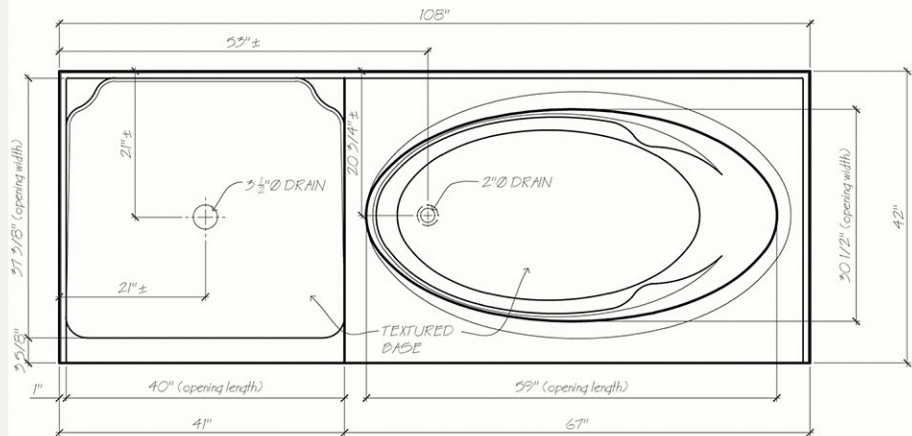
### Standard Features Include:

- Easy to clean chip resistant surface.
- Naturally non skid floor
- Built in tiling flange
- Includes waste and overflow stainless steel shower drain
- Available in white acrylic only

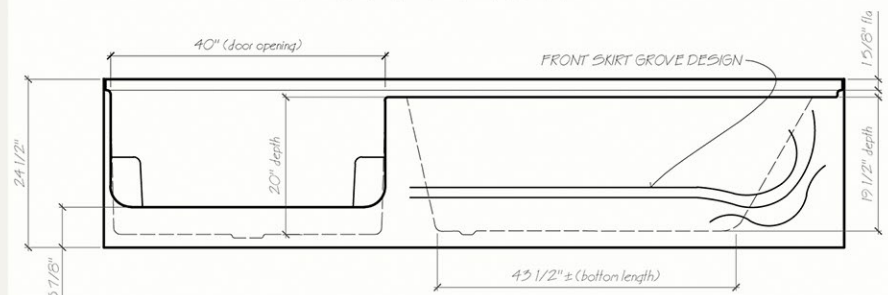
Glass World's Classic Collections are manufactured from tough durable cast acrylic sheet, offering care free maintenance and a lifetime of pampered bathing. This smooth glossy finish is aesthetically appealing and is available in a wide array of high fashion decorator colours. Acrylic is naturally a non-slip surface. All of our tubs are designed to offer the basis for a luxurious and affordable bathing environment. The quality of our product is absolutely guaranteed.

Glass World's products are manufactured and factory tested to meet the highest standards of quality, craftsmanship and performance. The acrylic shell and hydro massage systems have warranty coverage for a period of one year.

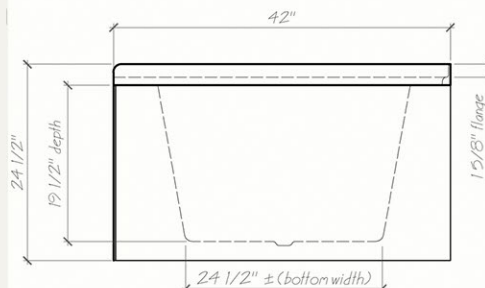
Approved for Canada and the United States. All products are approved and certified to CSA standards by Warnock Hearsy. Tested to CSA B45.0 & CSAB45.5.



PLAN VIEW



FRONT VIEW



END VIEW