



Charlotte

6' (71 1/8" x 35 7/8")

Acrylic Drop in Tub

This 6' drop in tub boasts one of the largest bathing wells in it's class. Luxuriously deep, sculpted armrests, lumbar support and raised headrest all make for comfortable soaking. Over all rough dimensions are 71" x 35 1/2" .

Operating Level:

32 Imp. Gal.

148 Litre

39 U.S. Gal.

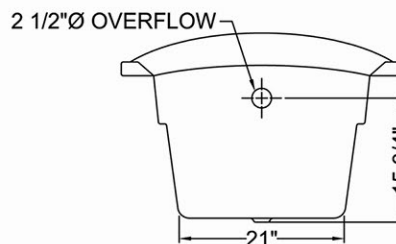
Standard Features Include:

- Easy to clean chip resistant surface.
- Naturally non skid floor
- Fits most standard bathtub installations
- Drop in style for left or right hand drain
- Lumbar back support
- Sculpted armrests

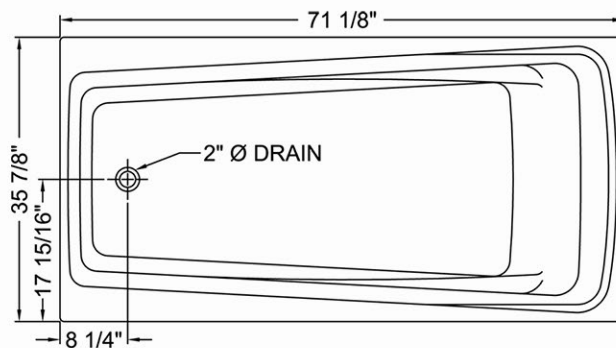
Glass World's classic collections are manufactured from tough durable cast acrylic sheet, offering care free maintenance and a life time of pampered bathing. This smooth glossy finish is aesthetically appealing and is available in a wide array of high fashion decorator colours. Acrylic is naturally non slip. All of our tubs are designed to offer the basis of a luxurious and affordable bathing environment. The quality of our product is absolutely guaranteed.

Glass World's products are manufactured and factory tested to meet the highest standards of quality, craftsmanship and performance. The Acrylic shell and hydro massage systems are all warranted for a period of one year.

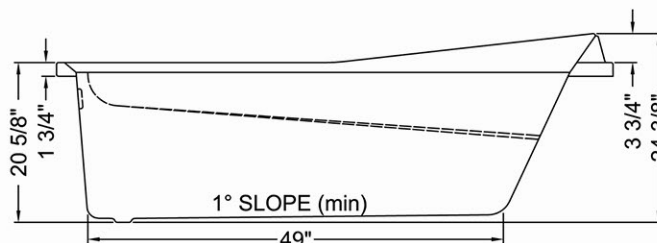
Approved for Canada and the US. All products are approved and certified to CSA Standards by Warnock Hearsy. Tested to CSA B45.0 & CSA B45.5.



END VIEW



PLAN VIEW



FRONT VIEW