



Glass World

2146 Queen Street, Abbotsford, B.C V2T 6J4Ph. 604-854-5757 Toll Free. 1-888-820-5080 Fax. 604-852-1850 Web. www.glassworld.ca

We Make Bathrooms Beautiful

Pacific 1

6' (71 1/4" x 41 5/8")

Continuous roll rim headrest, center drain, and sculpted armrests. This model ideal is for bay window or corner applications.

Operating level:

50 Imp. Gal.

227 Litre

60 U.S. Gal.

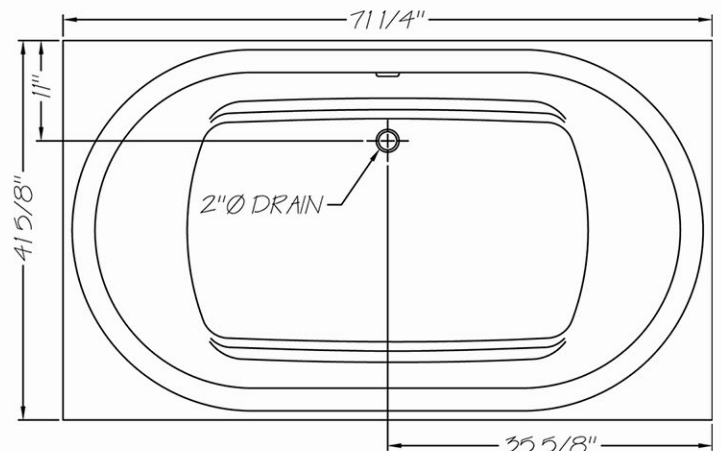
Standard Features Include:

- Easy to clean chip resistant surface.
- Naturally non skid surface
- Fits most standard bathtub installations
- Centre drain for two person bathing
- Integral lumbar support

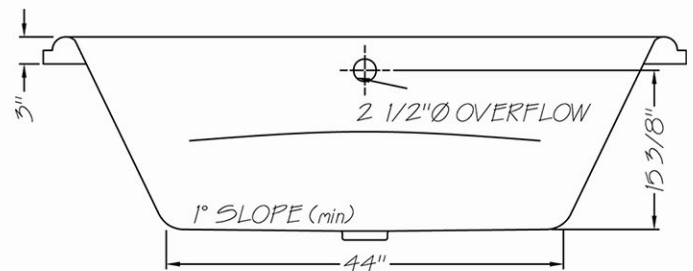
Glass World's Classic Collections are manufactured from tough durable cast acrylic sheet, offering care free maintenance and a lifetime of pampered bathing. This smooth glossy finish is aesthetically appealing and is available in a wide array of high fashion decorator colours. Acrylic is naturally a non-slip surface. All of our tubs are designed to offer the basis for a luxurious and affordable bathing environment. The quality of our product is absolutely guaranteed.

Glass World's products are manufactured and factory tested to meet the highest standards of quality, craftsmanship and performance. The acrylic shell and hydro massage systems have warranty coverage for a period of one year.

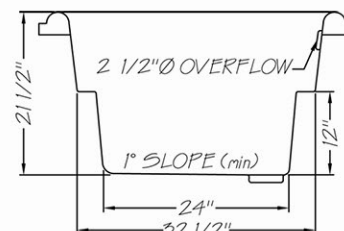
Approved for Canada and the United States. All products are approved and certified to CSA standards by Warnock Hearsy. Tested to CSA B45.0 & CSAB45.5.



PLAN VIEW



FRONT ELEVATION



END ELEVATION