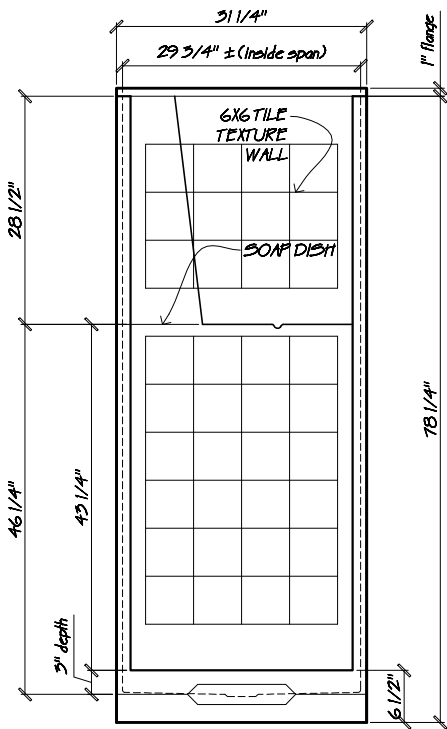
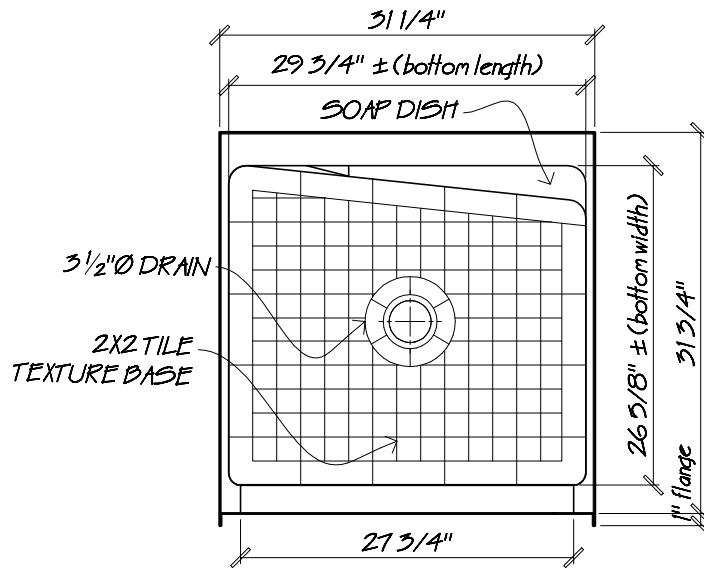
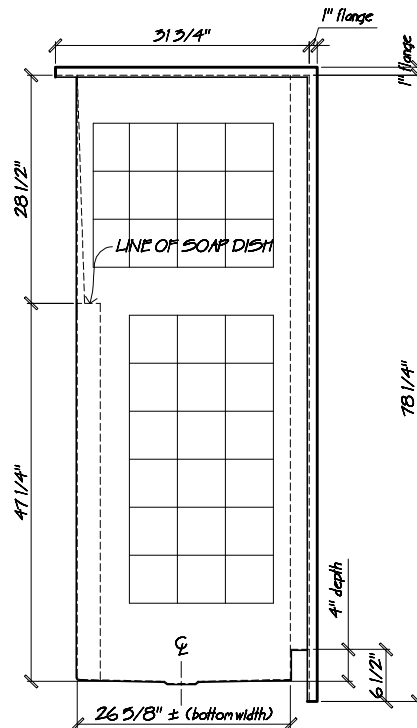


PLAN VIEW
scale: $\frac{3}{4}'' = 1''$



FRONT VIEW
scale: $\frac{1}{2}'' = 1''$



LEFT END VIEW
scale: $\frac{1}{2}'' = 1''$



Name: SS32T

Date: 18-09-12

Scale: as shown

File: SS32T-3d.dwg

Drawn: AAJ



Phone: 604-854-5757

Fax: 604-852-1850