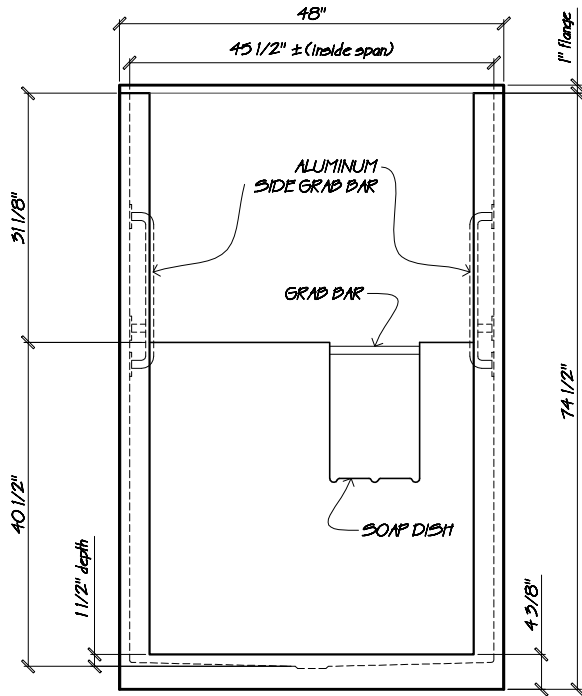
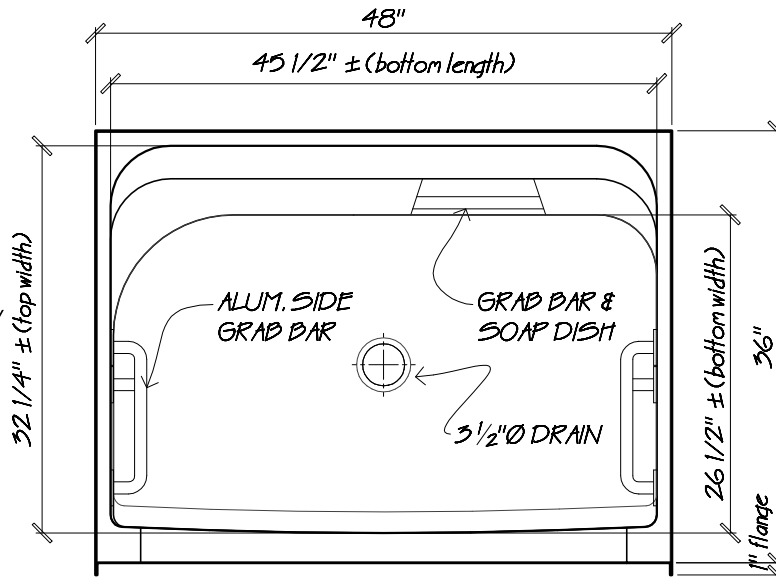


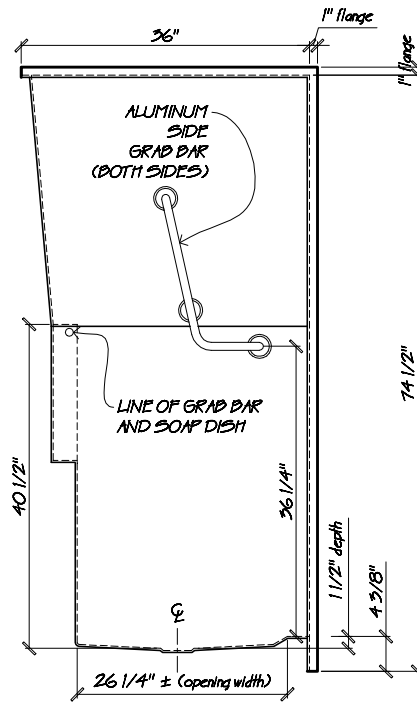
PLAN VIEW

scale: $\frac{3}{4}'' = 1''$



FRONT VIEW

scale: $\frac{1}{2}'' = 1''$



LEFT END VIEW

scale: $\frac{1}{2}'' = 1''$



Name: SS4836HCS

Date: 24-08-12

Scale: as shown

File: SS4836HCS-3d Drawn: AAJ



Phone: 604-854-5757

Fax: 604-852-1850