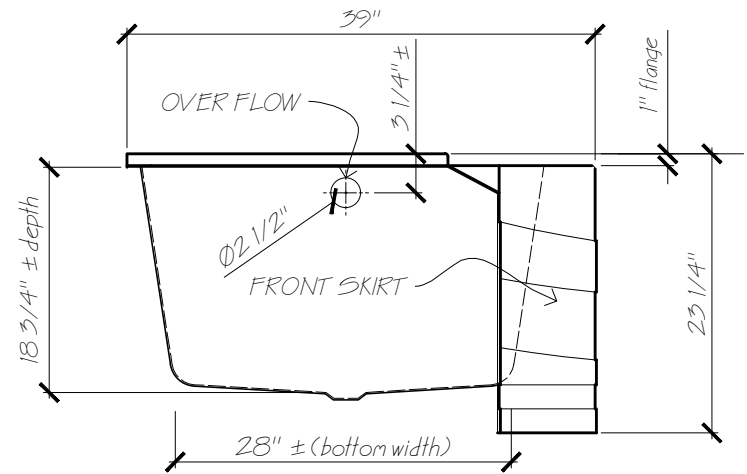
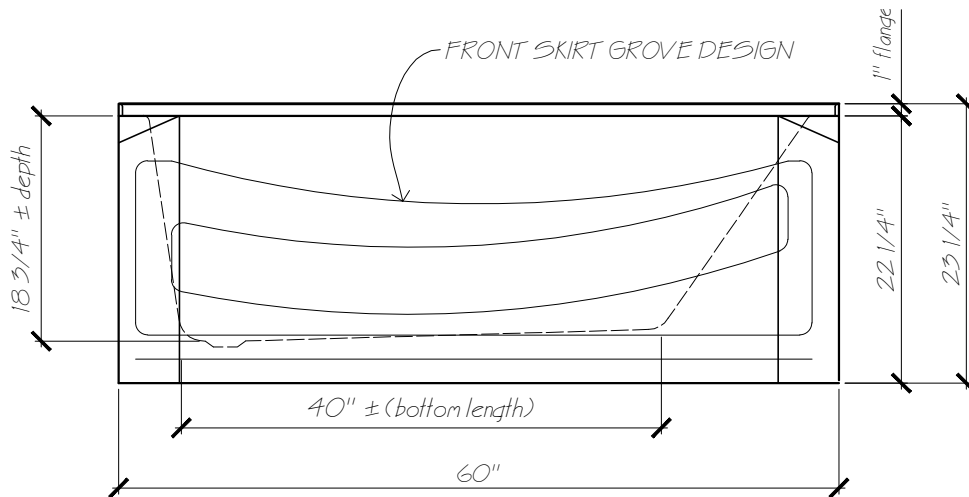


PLAN VIEW



END VIEW



FRONT VIEW



Name: ABBY L/H

Date: 04-30-12

Scale: 3/4" = 1'

File: AbbyLH-3d.dwg

Drawn: AAJ



Phone: 604-854-5757

Fax: 604-852-1850