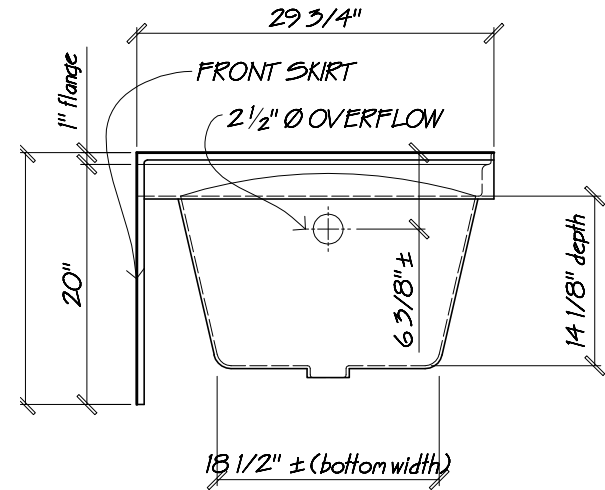
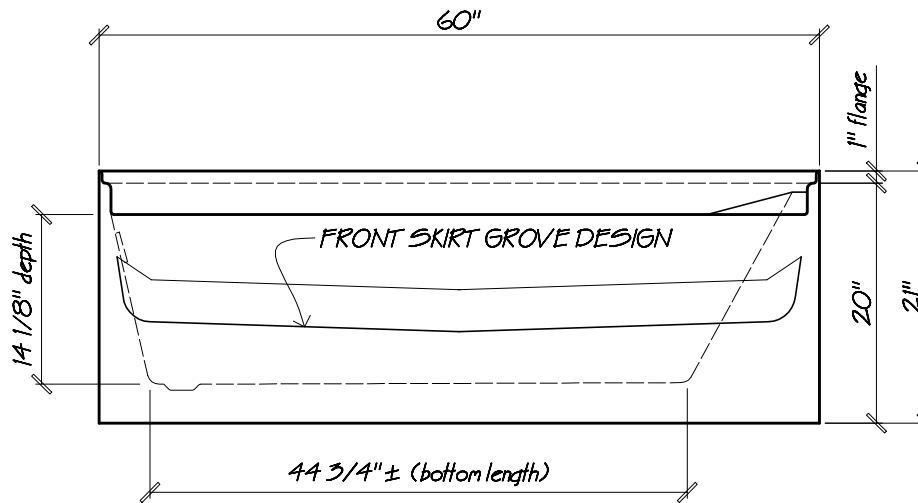


PLAN VIEW



END VIEW



FRONT VIEW



Name: BRIDGEPORT L/H

Date: 05-23-12 Scale: 3/4" = 1"

File: BridgeportLH.dwg Drawn: AAJ



Phone: 604-854-5757

Fax: 604-852-1850