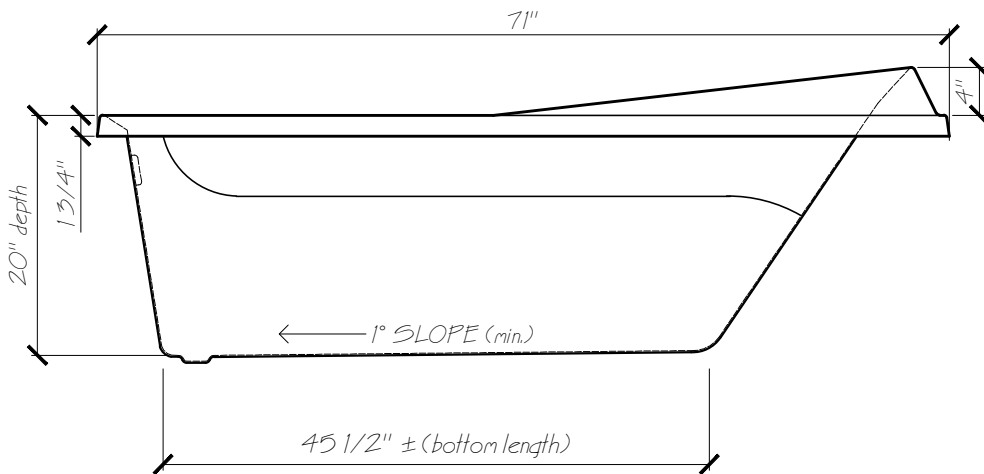
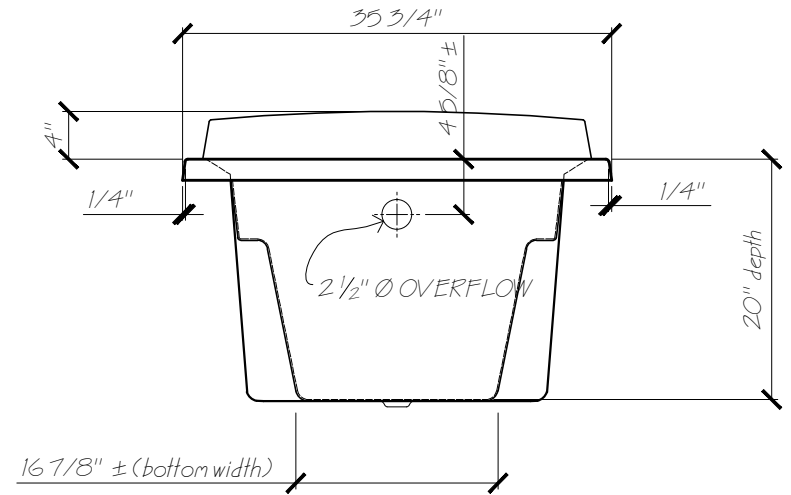


PLAN VIEW



FRONT VIEW



END VIEW



WATER CAPACITY
OPERATIONAL
LEVEL

LITRES: 148 L
GALLONS: 39 G

Name: CHARLOTTE

Date: 29-05-12

File: Charlotte-3d.dwg

Scale: 3/4" = 1'

Drawn: AAJ



Phone: 604-854-5757

Fax: 604-852-1850