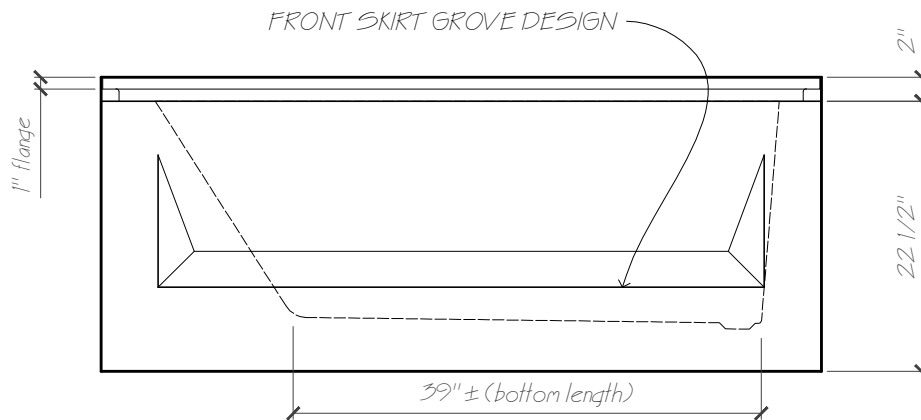
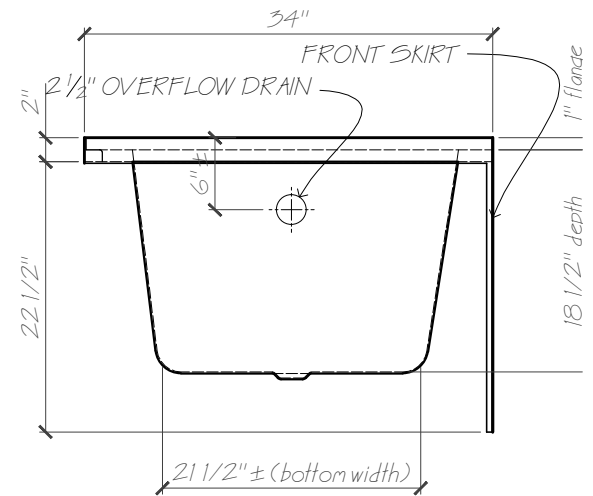


PLAN VIEW



FRONT VIEW



END VIEW



Name: COQUINA2R11

Date: 04-06-12

Scale: 3/4" = 1"

File: Coquina2R11-3d.dwg

Drawn: AA Jimenez



Phone: 604-854-5757

Fax: 604-852-1850