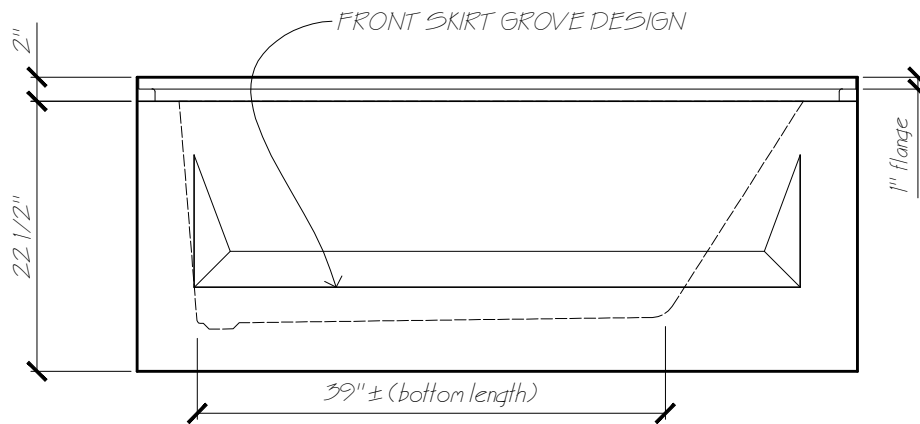
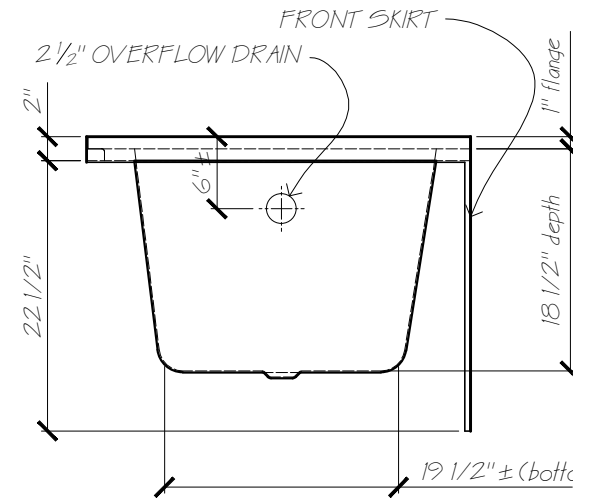


PLAN VIEW



FRONT VIEW



END VIEW



Name: COQUINAL/H

Date: 04-06-12

Scale: 3/4" = 1"

File: CoquinaLT-3d.dwg

Drawn: AAJ



Phone: 604-854-5757

Fax: 604-852-1850