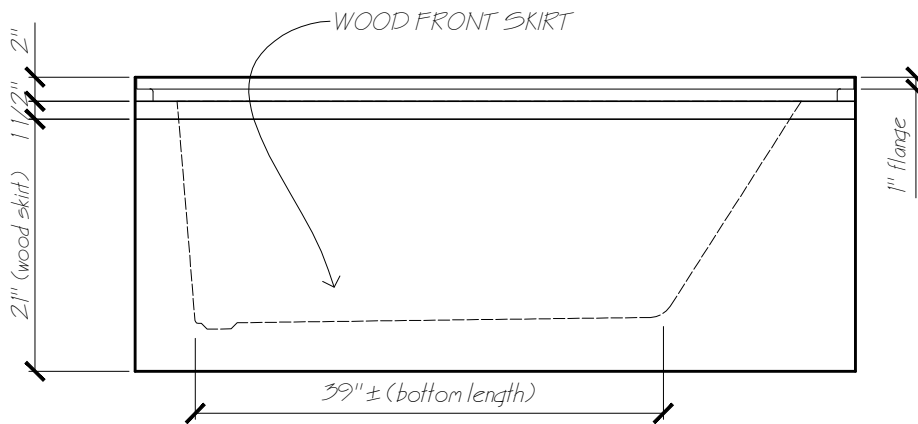
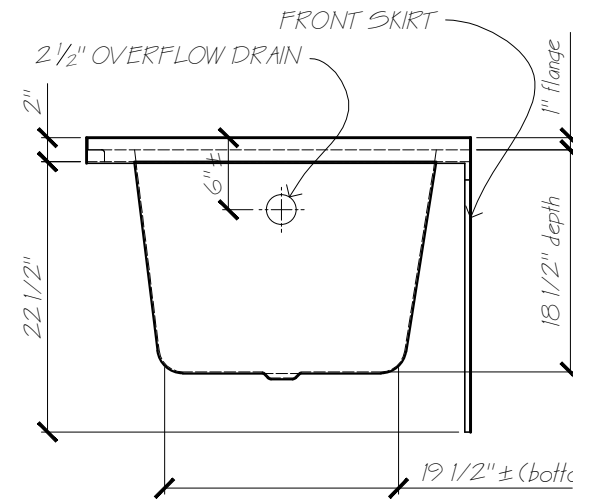


PLAN VIEW



FRONT VIEW



END VIEW



Name: COQUINAL/HT (wood skirt)

Date: 25-09-12

Scale: 3/4" = 1'

File: CoquinaLT(wood)-3d Drawn: AAJ



Phone: 604-854-5757

Fax: 604-852-1850