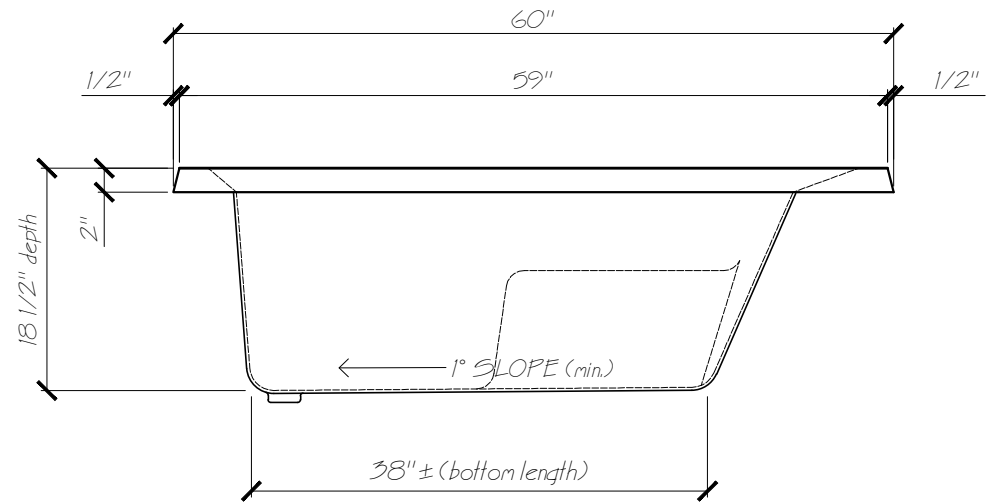
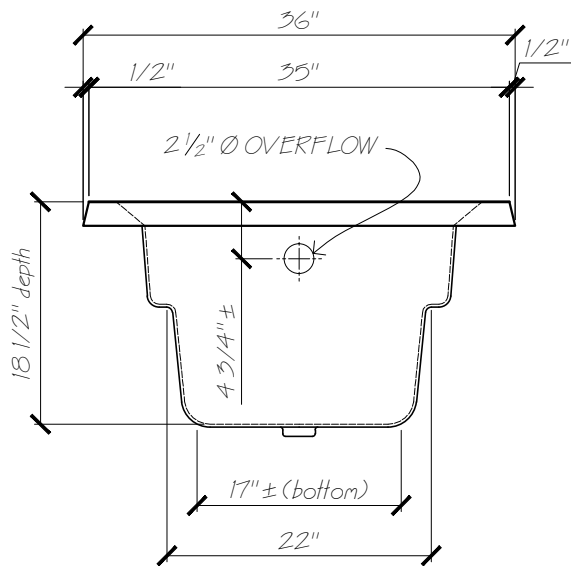


PLAN VIEW



FRONT VIEW



END VIEW



WATER CAPACITY
OPERATIONAL
LEVEL

Litres: 117

Gallons: 31

Name: COURTENAY

Date: 25-03-12

Scale: 3/4"=1'

File: Courtenay-3d.dwg

Drawn: AAJ



Phone: 604-854-5757

Fax: 604-852-1850