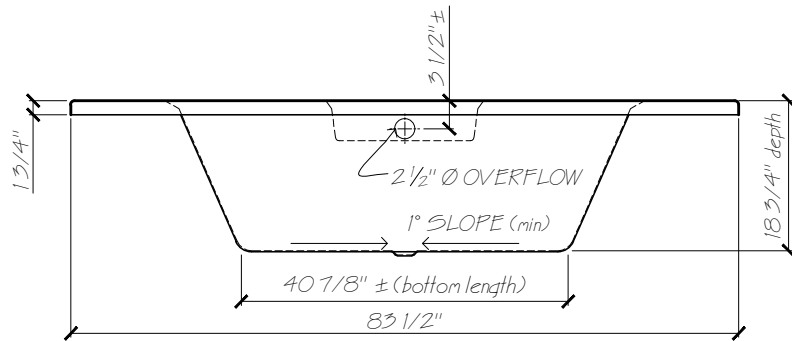
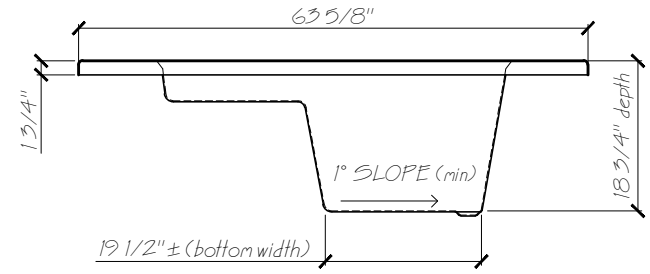


PLAN VIEW



FRONT VIEW



END VIEW



WATER CAPACITY
OPERATIONAL
LEVEL

LITRES: 129 L

GALLONS: 34 G

Name: DELTA 2 Corner Tab

Date: 12-06-12

Scale: 1/2" = 1"

File: Delta2-3d.dwg

Drawn: AAJ



Phone: 604-854-5757

Fax: 604-852-1850