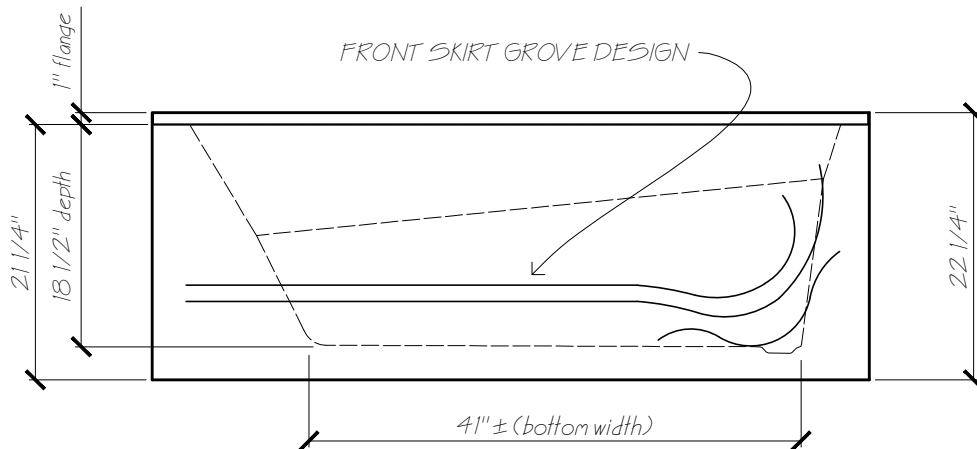
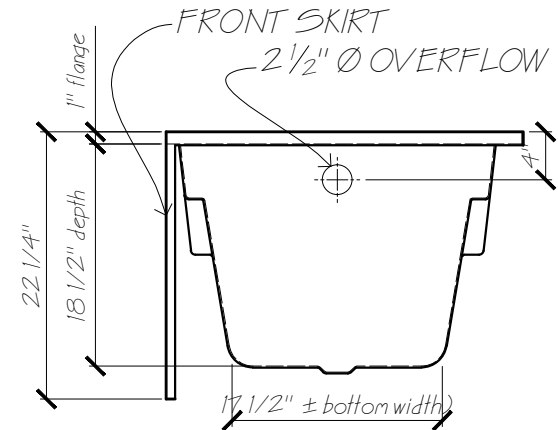


PLAN VIEW



FRONT ELEVATION



Name: JASPER R/H

Date: 05-06-12

Scale: 3/4" = 1'

File: JasperRH-3d.dwg

Drawn: AAJ



Phone: 604-854-5757

Fax: 604-852-1850