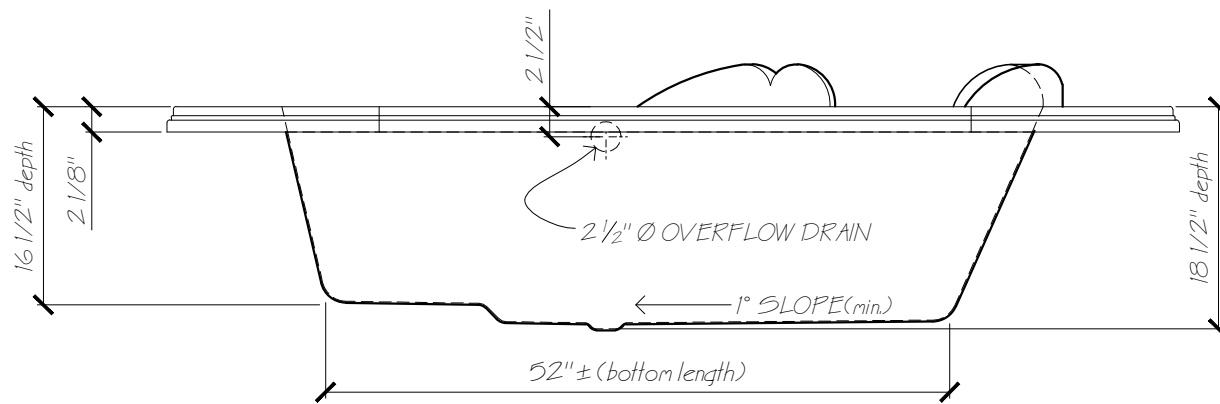


PLAN VIEW



FRONT VIEW



Name: KATRINA B6060 Heat

Date: 18-06-12

Scale: 3/4" = 1'

File: Katrina-3d.dwg

Drawn: AAJ



Phone: 604-854-5757

Fax: 604-852-1850