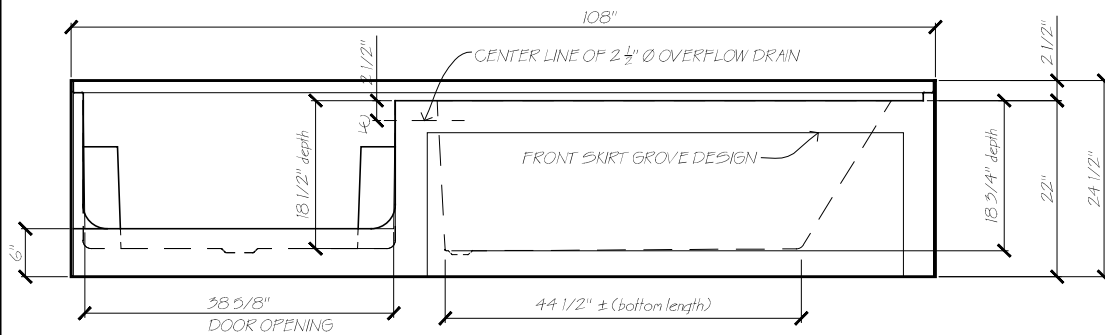
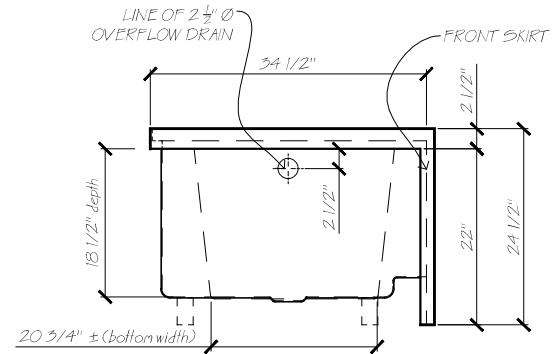


PLAN VIEW



FRONT VIEW



LEFT SIDE VIEW



Name: PALLADIUM 9 L/H	
Date: 30-01-15	Scale: 1/2" = 1'
File: Palladium 9 L/H-3d.dwg Drawn: AAJimenez	
	Phone: 604-854-5757
	Fax: 604-852-1850