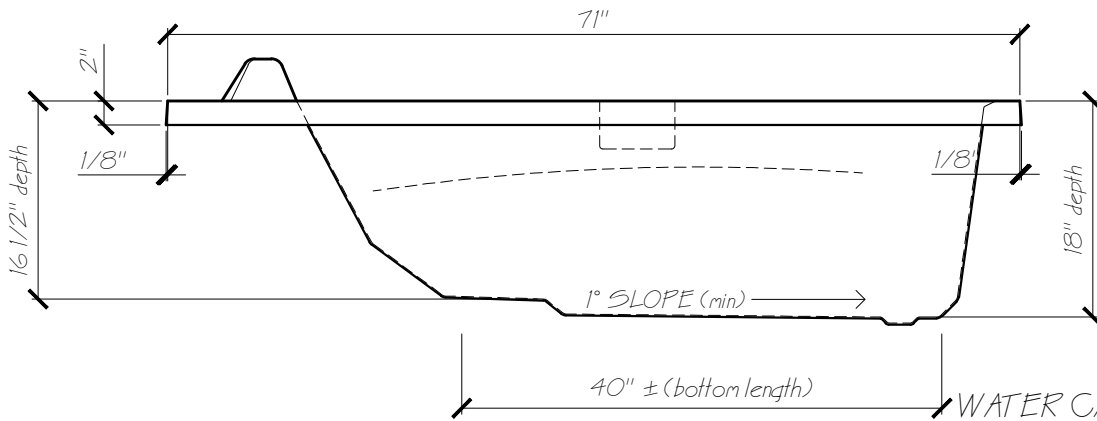
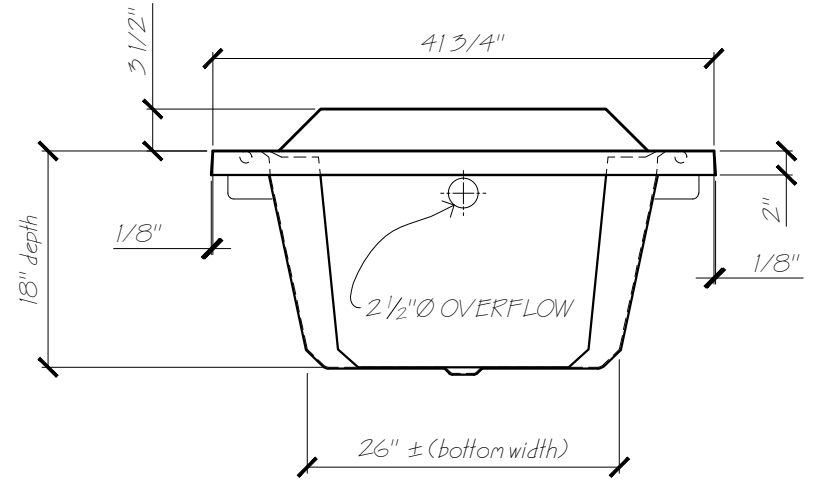


PLAN VIEW



FRONT VIEW



END VIEW



Name: PRINCETON DropinTub

Date: 21-06-12

Scale: 3/4" = 1"

File: Princeton-3d.dwg

Drawn: AAJ

LITRES: 170 L

GALLONS: 45 G



Phone: 604-854-5757

Fax: 604-852-1850