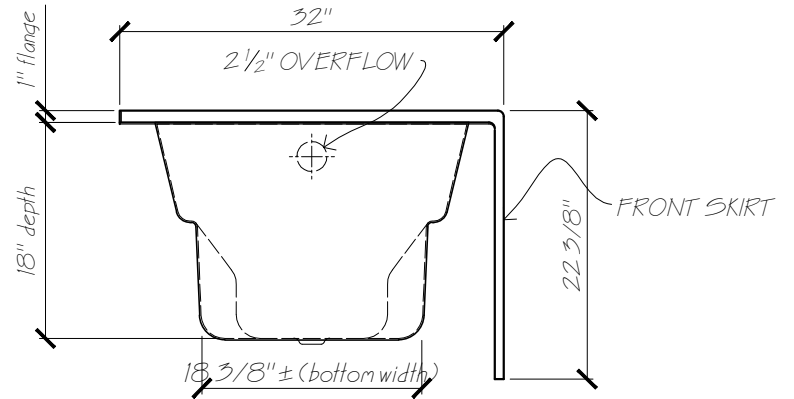
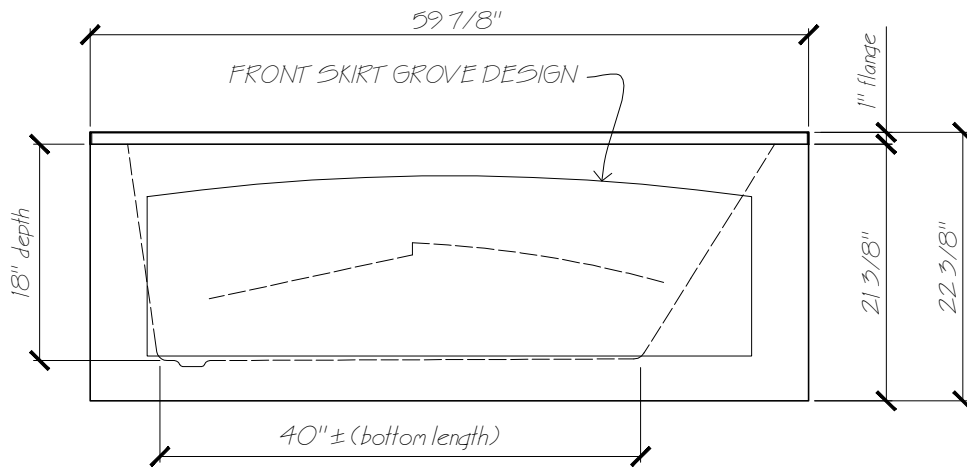


PLAN VIEW



END VIEW



FRONT VIEW



WATER CAPACITY
OPERATIONAL
LEVEL

LITRES: 125 L

GALLONS: 33 G

Name: SECHTEL L/H

Date: 04-06-12

Scale: 3/4" = 1"

File: SechtellLT.dwg

Drawn: AAJ



Phone: 604-854-5757

Fax: 604-852-1850