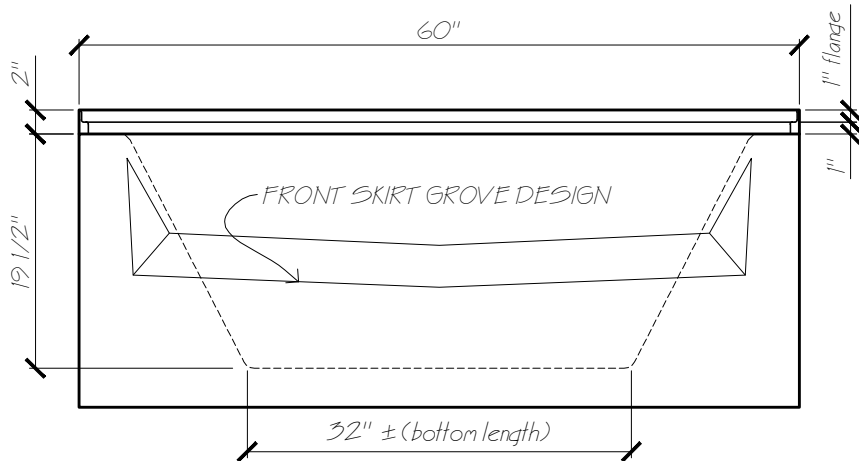
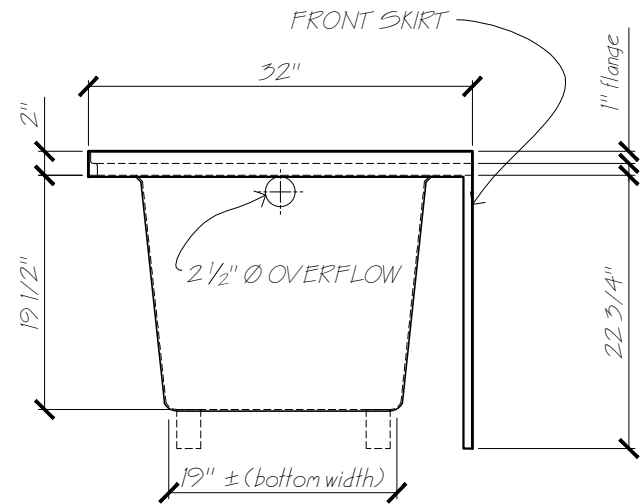


PLAN VIEW



FRONT VIEW



END VIEW



Name: SPARTAN

Date: 13-07-12

Scale: 3/4" = 1'

File: Spartan-3d.dwg

Drawn: AAJ



Phone: 604-854-5757

Fax: 604-852-1850