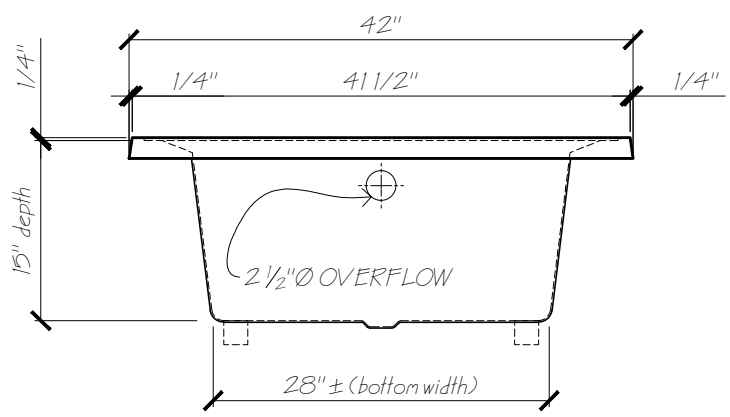
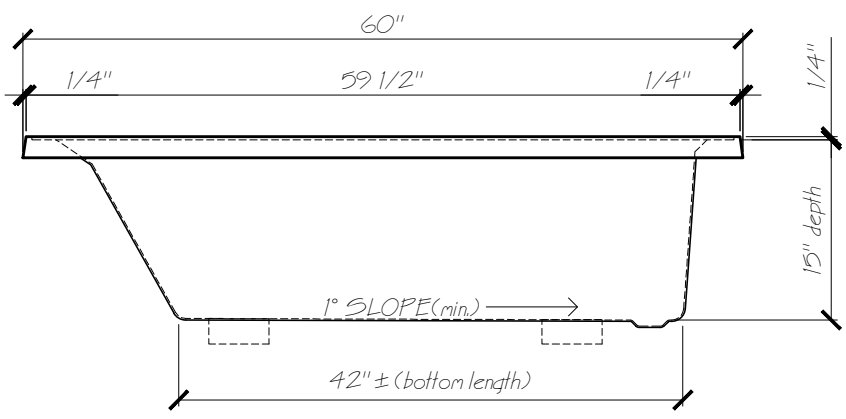


PLAN VIEW



END VIEW



FRONT VIEW

WATER CAPACITY
OPERATIONAL
LEVEL
LITRES: 981
GALLONS: 26 G

Name: VALHALLA	
Date: 18-07-12	Scale: 3/4" = 1'
File: Valhalla-3d.dwg	Drawn: AAJ