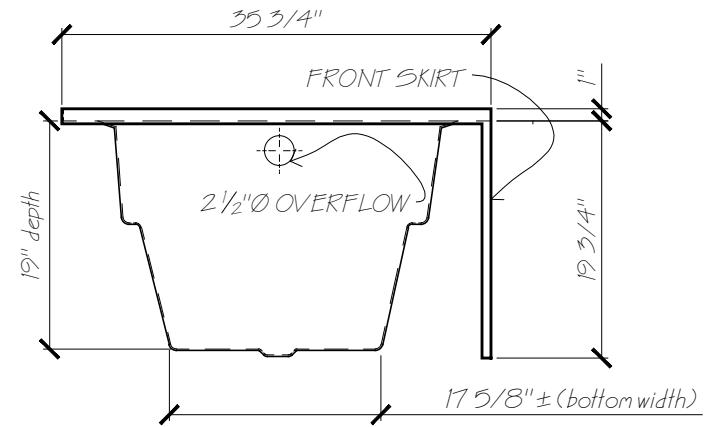
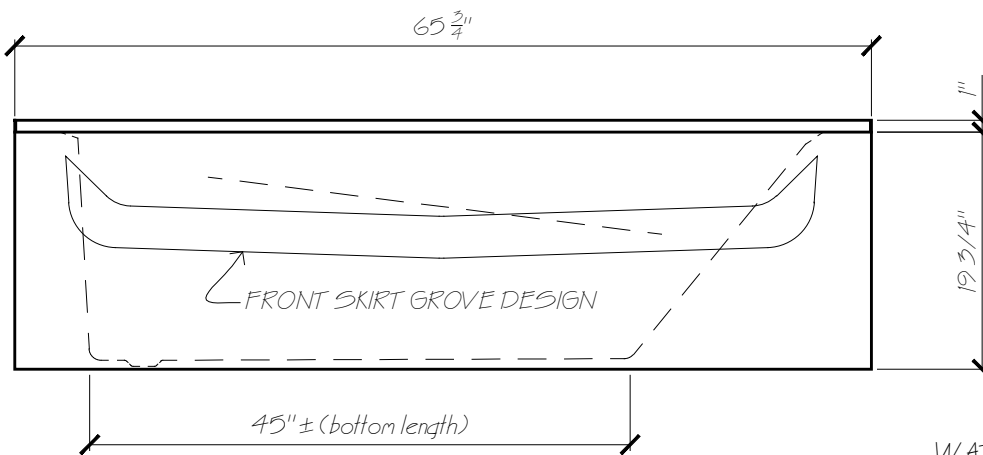


PLAN VIEW



END VIEW



FRONT VIEW



WATER CAPACITY
OPERATIONAL
LEVEL

LITRES: 129 L

GALLONS: 34 G

Name: WHISTLER L/H

Date: 17-07-12

Scale: 3/4" = 1'

File: WhistlerLH-3d.dwg

Drawn: AAJ



Phone: 604-854-5757

Fax: 604-852-1850