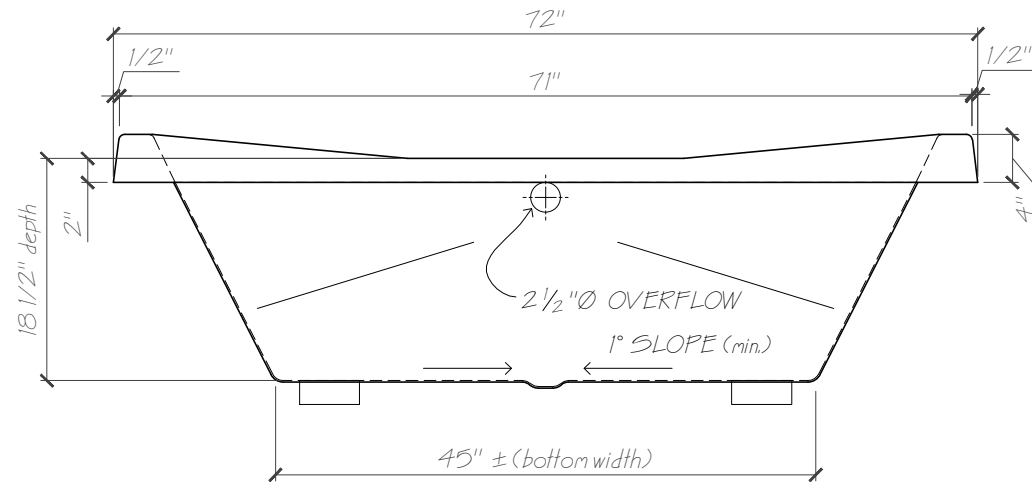
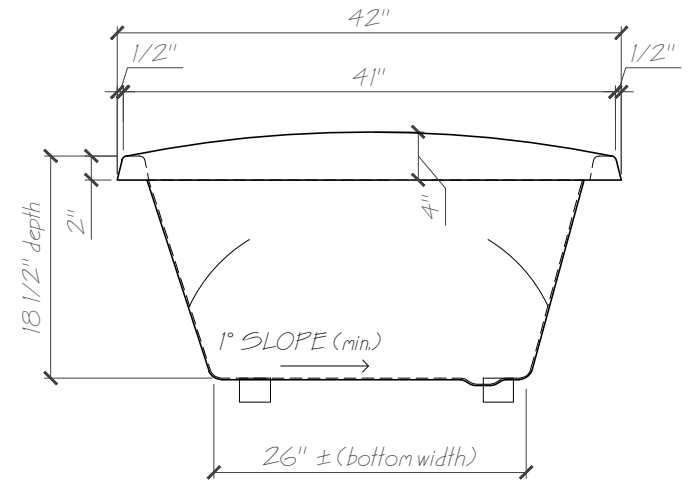


PLAN VIEW



FRONT VIEW



SIDE VIEW



Name: 050Y0051

Date: 26-07-12

Scale: 3/4" = 1'

File: 050y0051-3d.dwg

Drawn: AA Jimenez



Phone: 604-854-5757

Fax: 604-852-1850