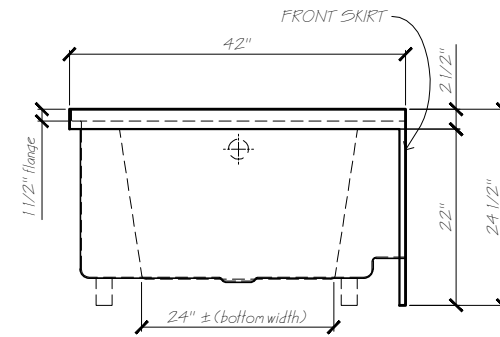
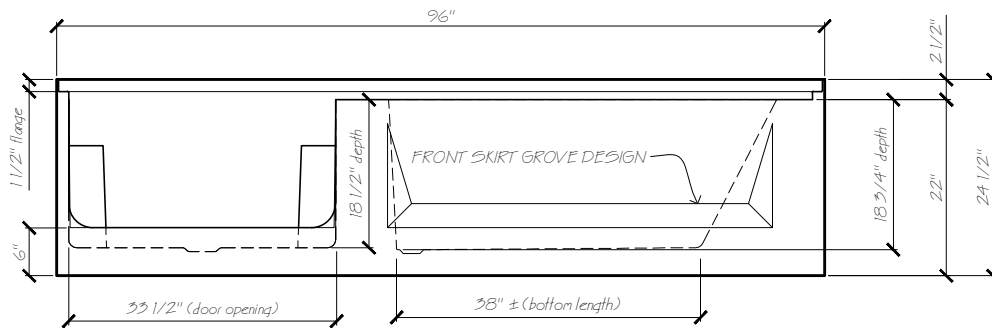


PLAN VIEW



SIDE VIEW



FRONT VIEW



Door Opening: 33 1/2"

WATER CAPACITY
OPERATIONAL
LEVEL

LITRES: 227 L
GALLONS: 58 G

Name: PAVILION L/H

Date: 11-07-12

File: PavilionLH.dwg

Scale: 1/2" = 1"

Drawn: AAJ



Phone: 604-854-5757

Fax: 604-852-1850