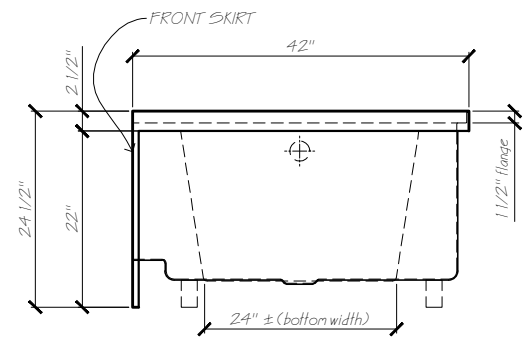
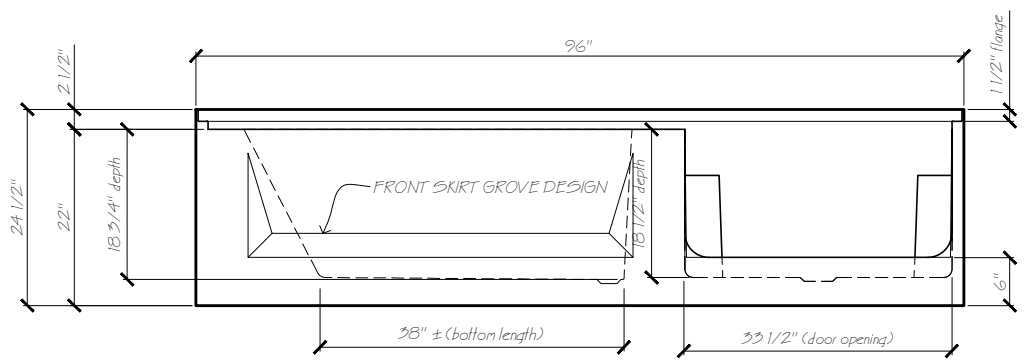


PLAN VIEW



SIDE VIEW



FRONT VIEW

Door Opening: 33 1/2"

WATER CAPACITY
OPERATIONAL
LEVEL

| | |
|----------|-------|
| LITRES: | 227 L |
| GALLONS: | 58 G |

| | |
|-----------------------|------------------|
| Name: PAVILION R/H | |
| Date: 06-07-212 | Scale: 1/2" = 1" |
| File: PavilionR11.dwg | Drawn: AAJ |



Phone: 604-854-5757
Fax: 604-852-1850