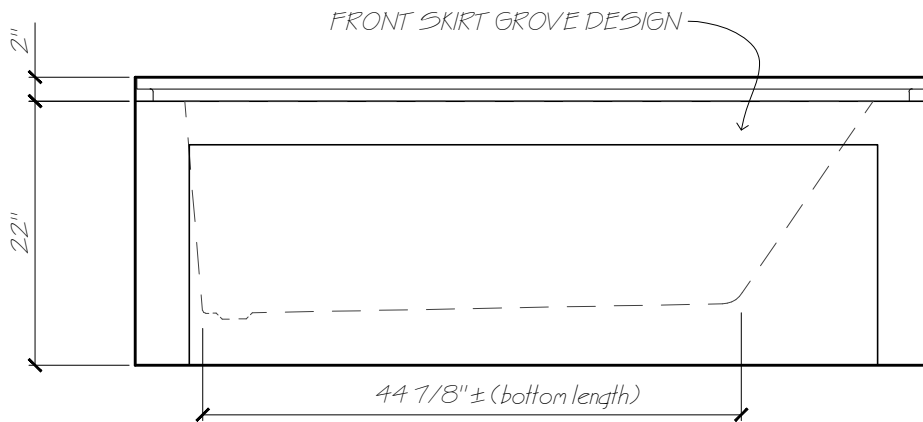
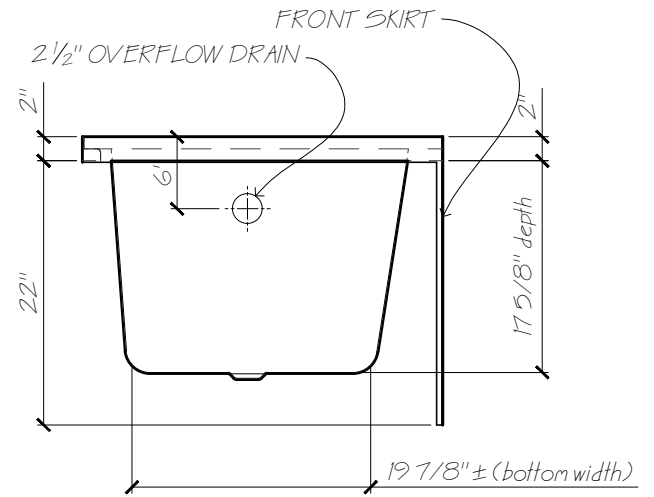


PLAN VIEW



FRONT VIEW



END VIEW



Name: SAANICH6630L/H

Date: 18-05-17

Scale: 3/4" = 1'

File: Saanich6630LH.dwg

Drawn: AAJimenez



Phone: 604-854-5757

Fax: 604-852-1850