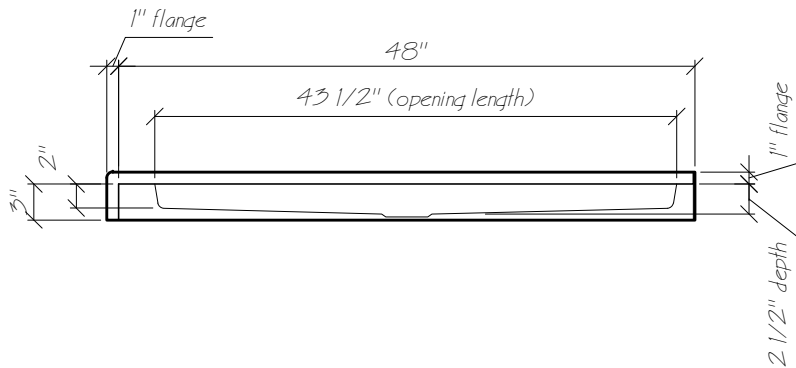
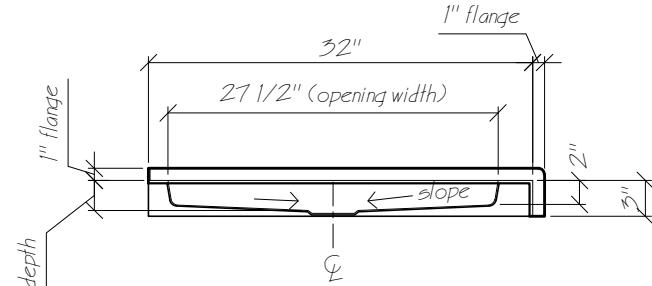


PLAN VIEW



FRONT VIEW



LEFT END VIEW



Name: SB4832DTL(L/T)48x32 shower base

Date: 12-06-15

Scale: 3/4" = 1'

File: sb4832dtl(lt)-3d

Drawn: AAJimenez



Phone: 604-854-5757

Fax: 604-852-1850