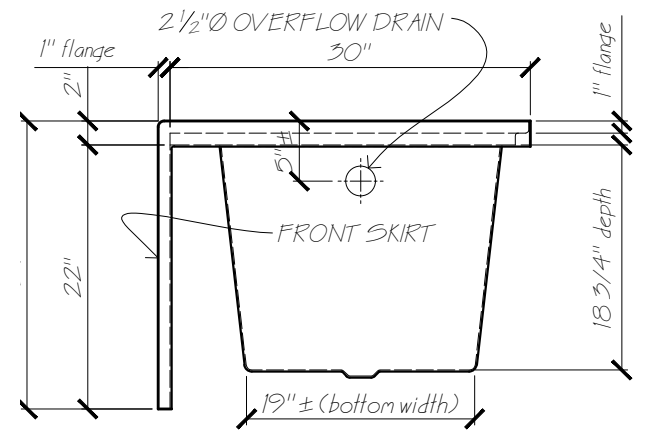
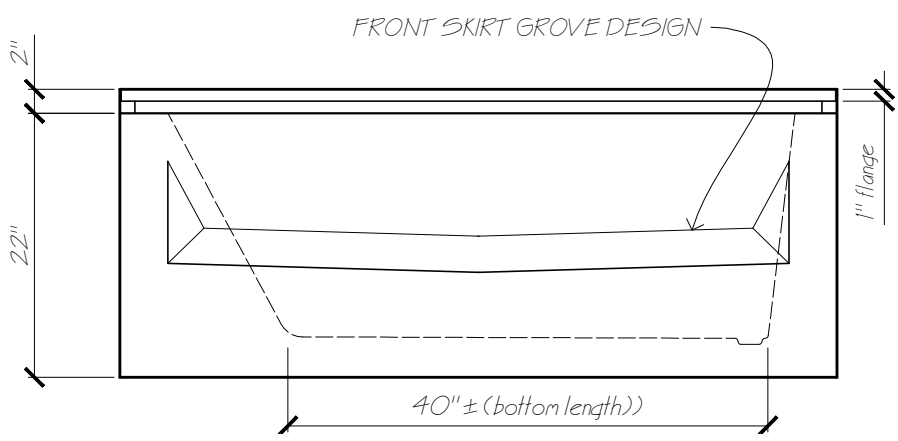



PLAN VIEW



END VIEW



FRONT VIEW

Name: COWICHAN R/H	
Date: 05-06-12	Scale: 3/4" = 1'
File: CowichanRH-3d.dwg	Drawn: AAJ
	
Phone: 604-854-5757	
Fax: 604-852-1850	