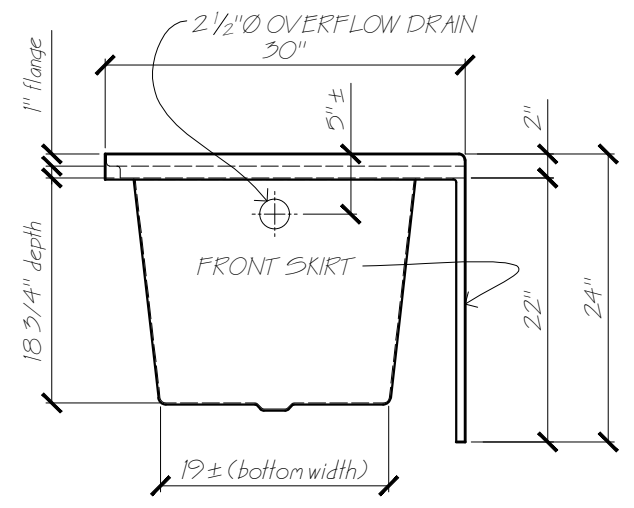
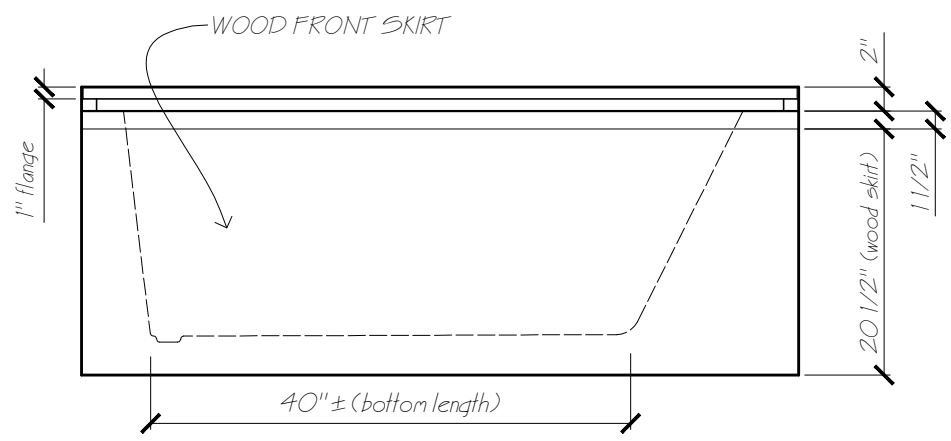


PLAN VIEW




END VIEW



FRONT VIEW



Name: COWICHAN L/H (wood skirt)	
Date: 05-06-12	Scale: 3/4" = 1"
File: CowichanLH-3d.dwg	Drawn: AAJ
	
Phone: 604-854-5757	
Fax: 604-852-1850	