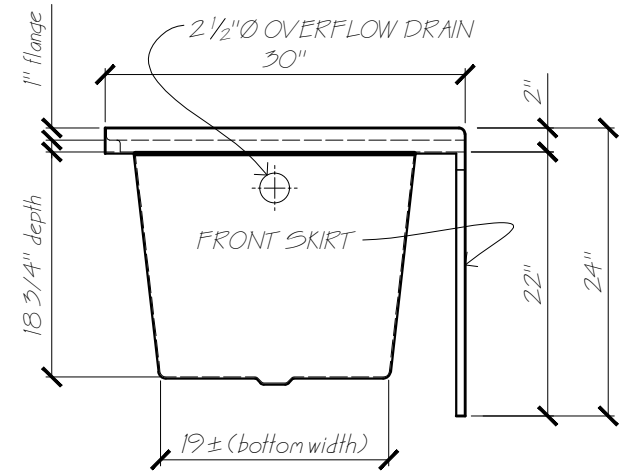
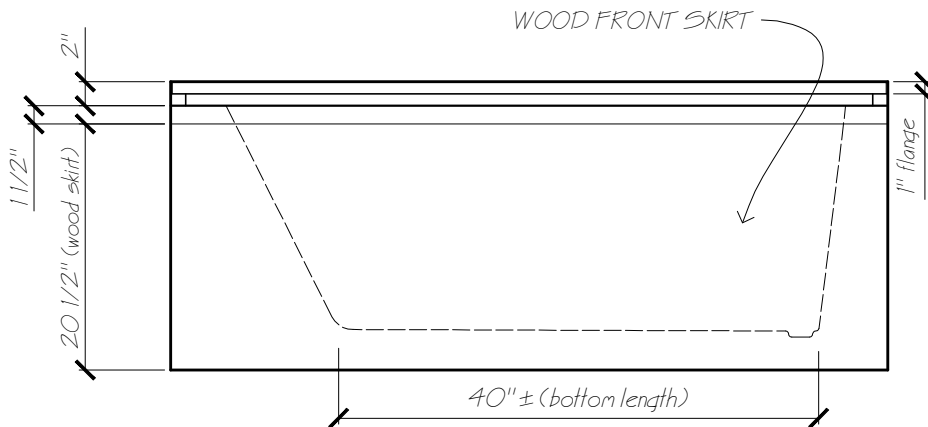


PLAN VIEW



END VIEW



FRONT VIEW



Name: COWICHAN R/H (wood skirt)

Date: 25-09-12

Scale: 3/4" = 1'

File: CowichanRH-3d

Drawn: AAJ



Phone: 604-854-5757

Fax: 604-852-1850