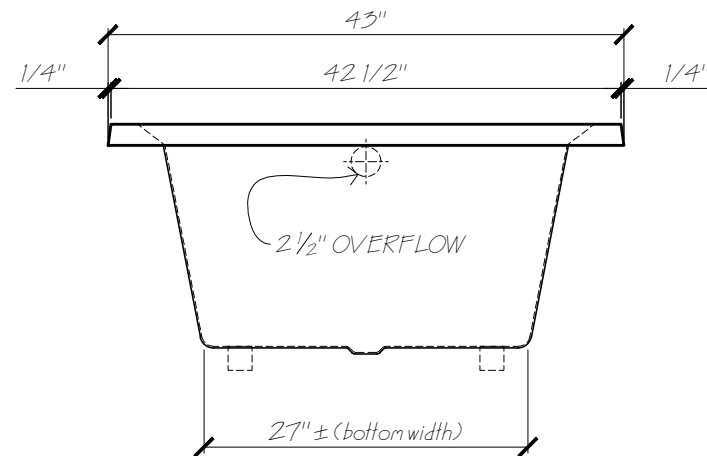
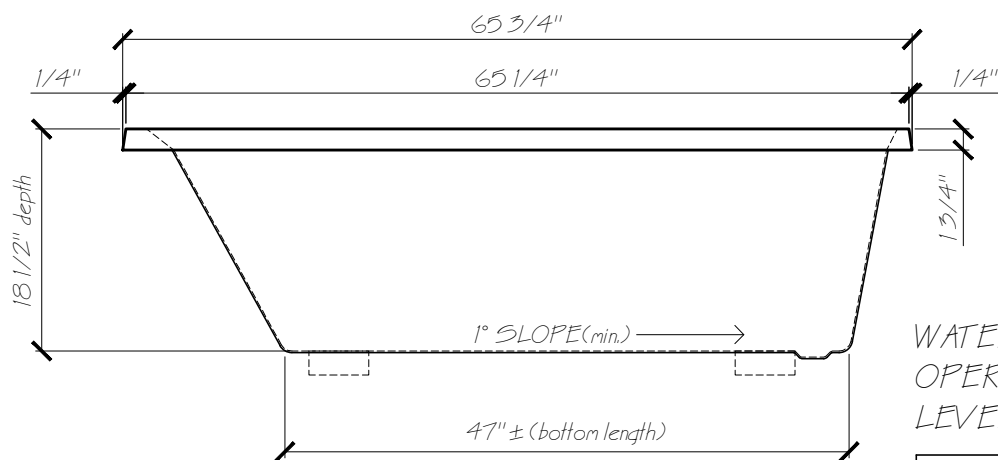


PLAN VIEW



END VIEW



FRONT VIEW

WATER CAPACITY
OPERATIONAL
LEVEL

LITRES: 1701
GALLONS: 45 G

Name: PROVIDENCE

Date: 30-07-12

Scale: 3/4" = 1'

File: Providence-3d.dwg

Drawn: AAJ



Phone: 604-854-5757

Fax: 604-852-1850