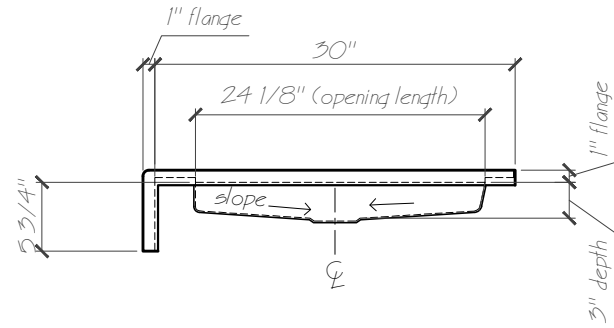
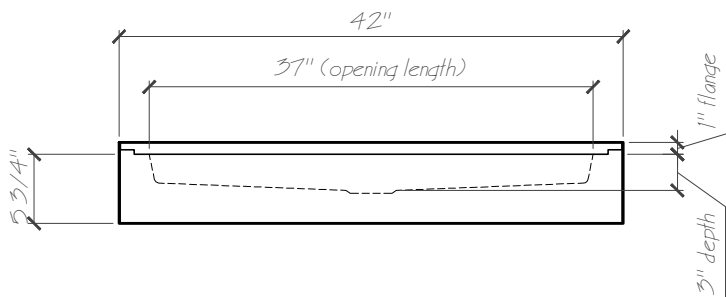


PLAN VIEW



RIGHT END VIEW



FRONT VIEW

Name: SB4230 (Shower Base 42" X 30")

Date: 17-08-12

Scale: 3/4" = 1'

File: SB4230-3d.dwg

Drawn: AA Jimenez



Phone: 604-854-5757

Fax: 604-852-1850