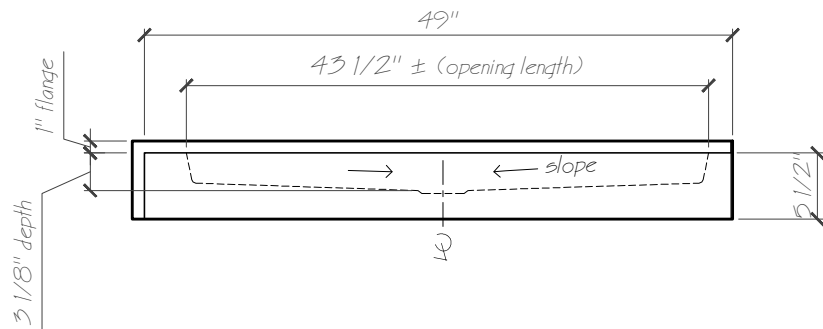
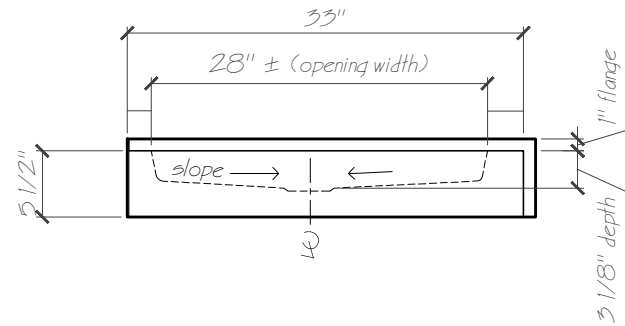


PLAN VIEW



FRONT VIEW



LEFT END VIEW



Name: SB4836DTL (48x36 Double Threshold)

Date: 17-08-12

Scale: 3/4" = 1"

File: SB4836DTL-3d.dwg Drawn: AA Jimenez



Phone: 604-854-5757

Fax: 604-852-1850