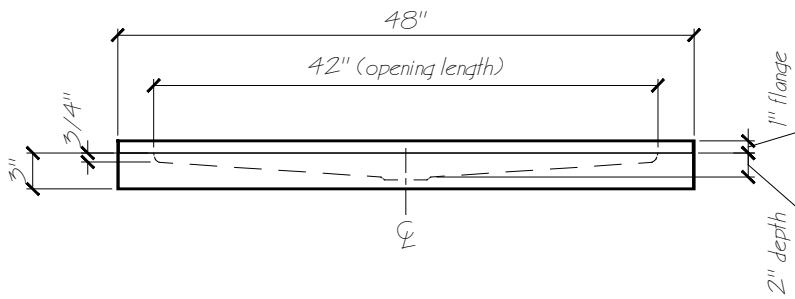
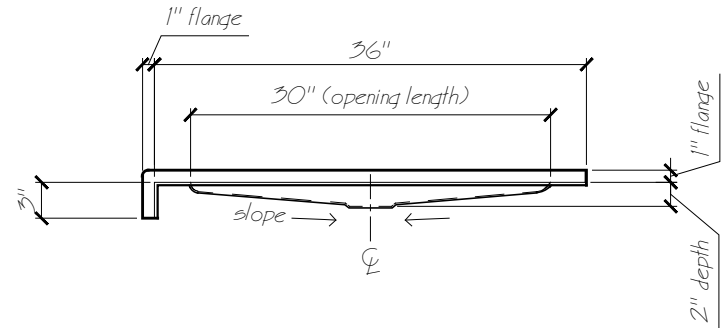


PLAN VIEW



FRONT VIEW



RIGHT END VIEW



Name: SB4836LT (Shower Base)
 Date: 06-12-14 Scale: 3/4" = 1"
 File: SB4836LT-3d.dwg Drawn: AAJimenez



Phone: 604-854-5757
 Fax: 604-852-1850