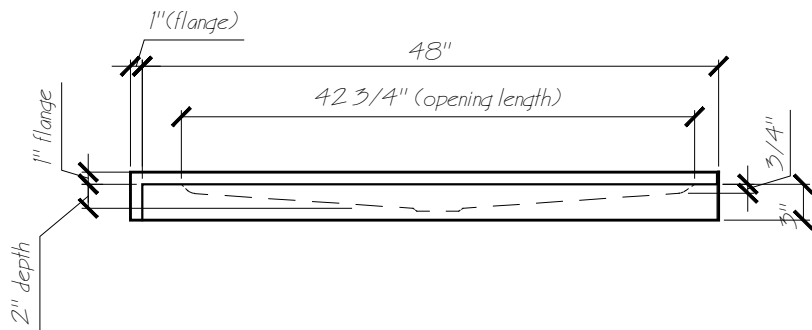
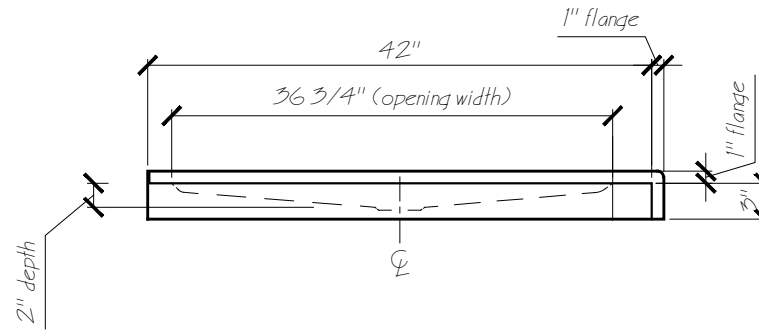


PLAN VIEW



FRONT VIEW



LEFT END VIEW



Name: SB4842 (Shower Base 48" X 42")

Date: 15-08-12

Scale: 3/4" = 1'

File: SB4842-3d.dwg

Drawn: AAJ



Phone: 604-854-5757

Fax: 604-852-1850