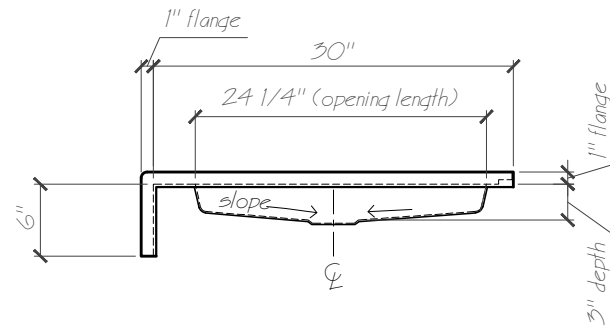
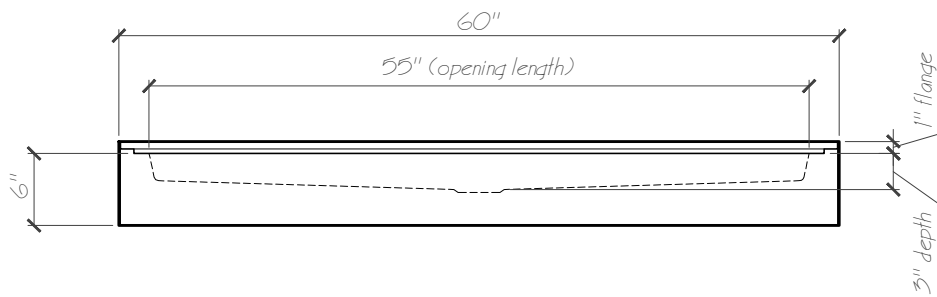


PLAN VIEW



LEFT END VIEW



FRONT VIEW



Name: SB6030 (Shower Base 60" X 30")

Date: 21-08-12

Scale: 3/4" = 1'

File: SB6030-3d.dwg

Drawn: AA Jimenez



Phone: 604-854-5757

Fax: 604-852-1850