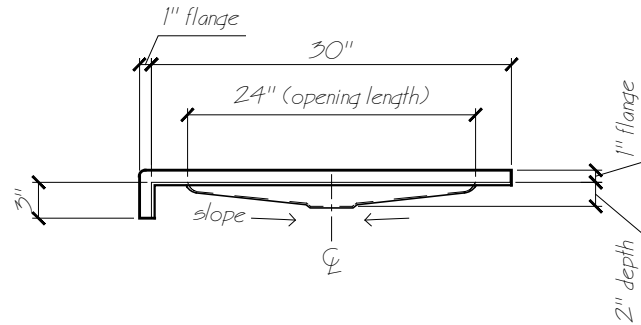


PLAN VIEW



RIGHT END VIEW



FRONT VIEW

Name: SB6030LT/RH (Shower Base)

Date: 26-11-15

Scale: 3/4" = 1'

File: SB6030LT/RH-3dDrawn: AAJimenez



Phone: 604-854-5757

Fax: 604-852-1850