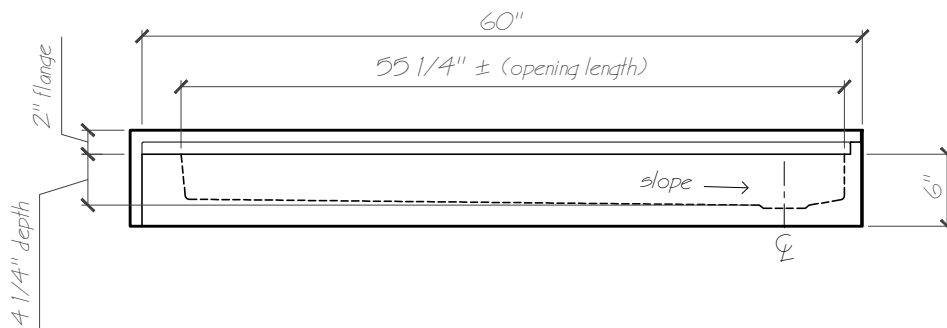
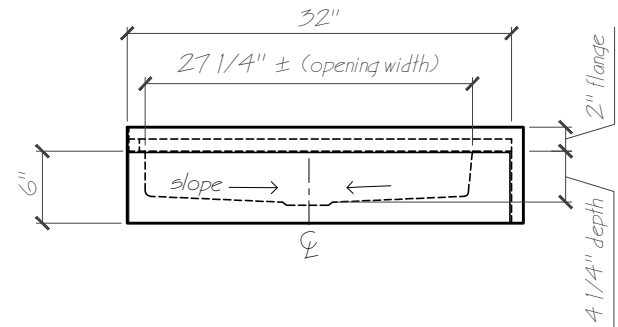


PLAN VIEW



FRONT VIEW



LEFT END VIEW



Name: SB6032DTL (60x32 Double Threshold)

Date: 18-06-13

Scale: 3/4"=1"

File: SB6032DTL-3d

Drawn: AA Jimenez



Phone: 604-854-5757

Fax: 604-852-1850