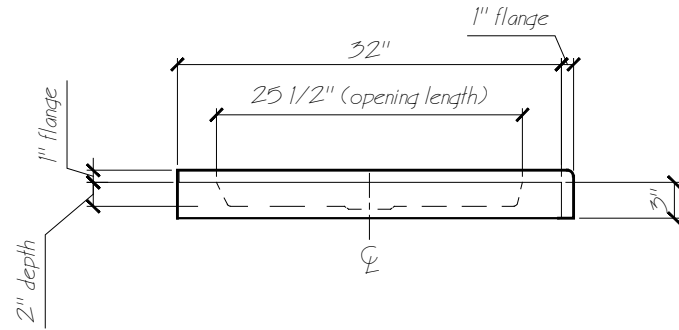
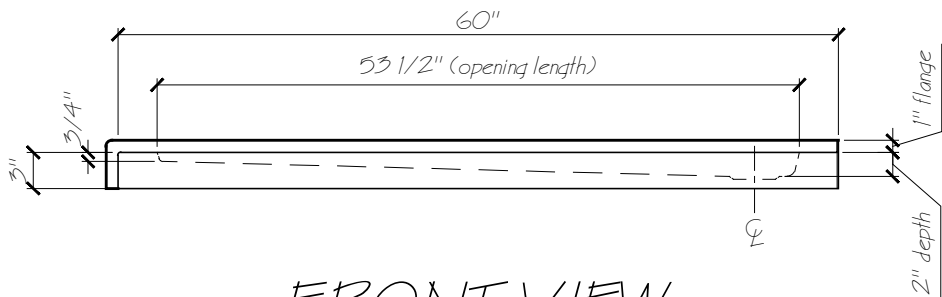


PLAN VIEW



LEFT END VIEW



FRONT VIEW

Name: SB6032DTL(LT) (Shower Base)

Date: 05-12-14

Scale: 3/4" = 1'

File: SB6036DTL(LT) Drawn: AAJimenez



Phone: 604-854-5757

Fax: 604-852-1850