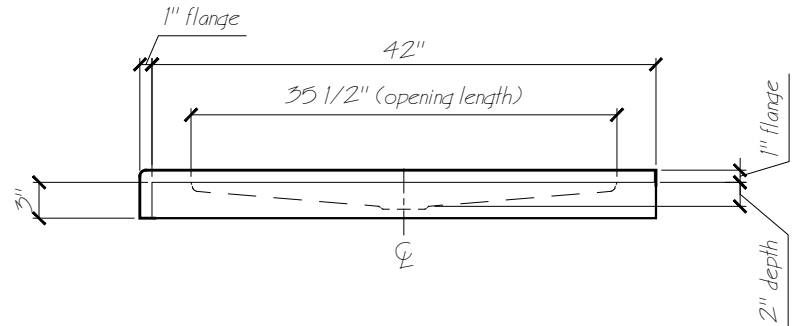
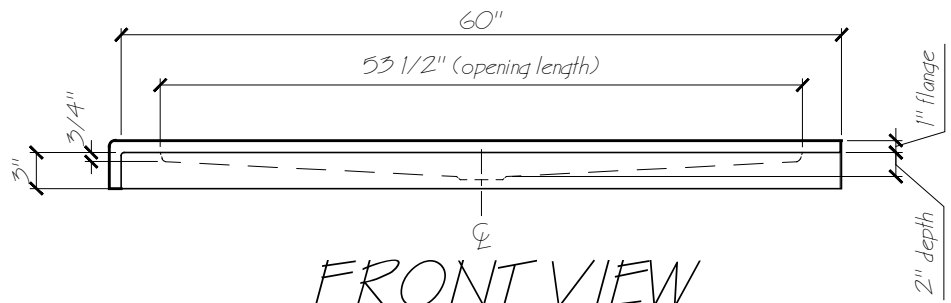


PLAN VIEW



LEFT END VIEW



FRONT VIEW

Name: SB6042DTL(LT) (Shower Base)

Date: 08-12-14 Scale: 3/4" = 1"

File: SB6042DTL(LT) Drawn: AAJimenez



Phone: 604-854-5757
Fax: 604-852-1850