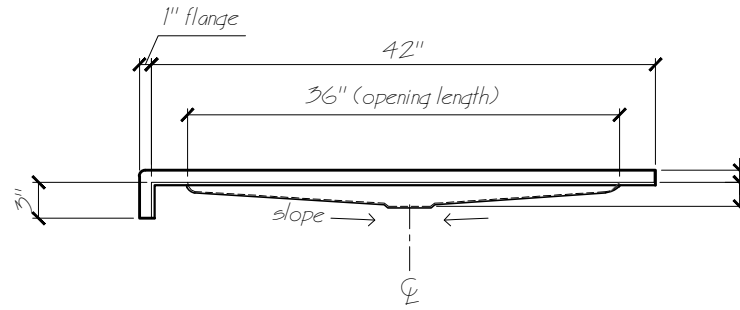
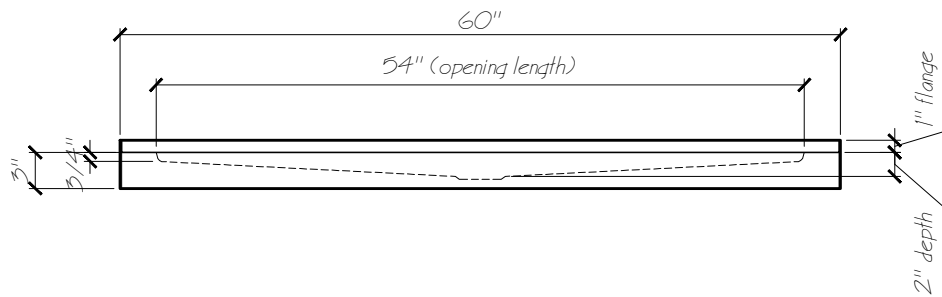


PLAN VIEW



RIGHT END VIEW



FRONT VIEW

Name: SB6042LT (Shower Base)
 Date: 11-09-13 Scale: 3/4" = 1"
 File: SB6042LT-3d.dwg Drawn: AAJimenez



Phone: 604-854-5757
 Fax: 604-852-1850