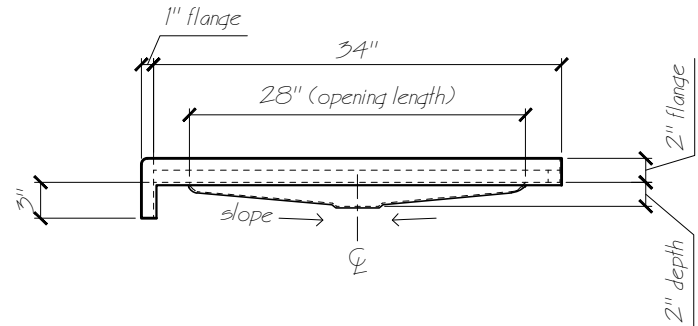
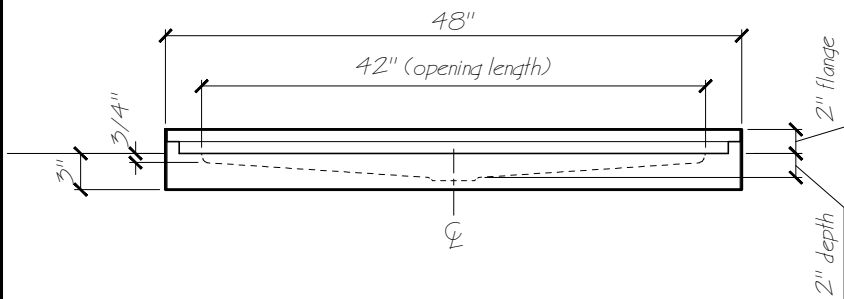


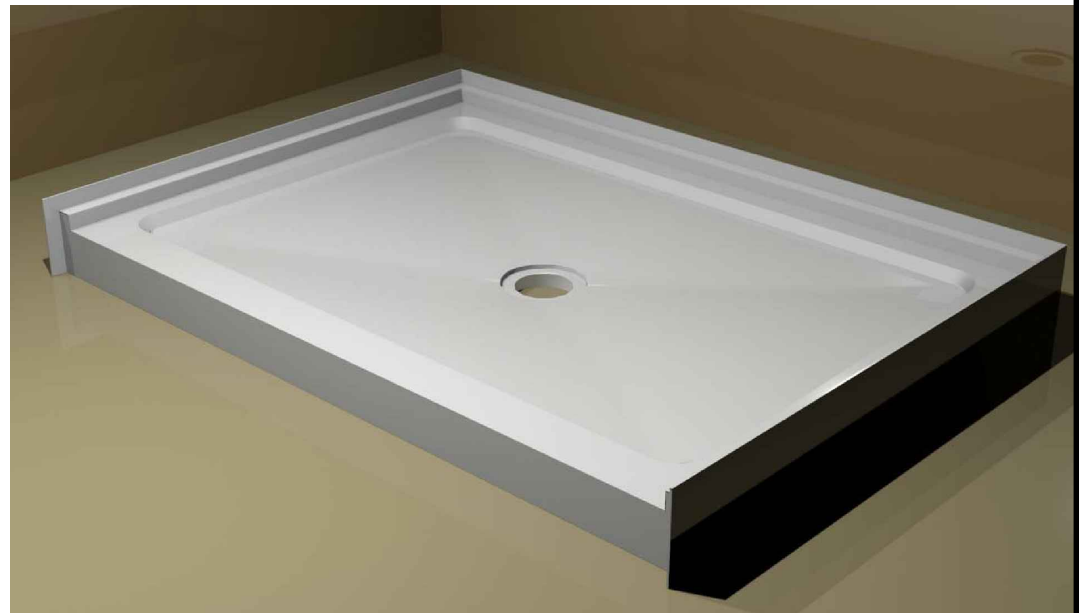
PLAN VIEW



RIGHT END VIEW



FRONT VIEW



Name: SB4834LT (Shower Base)
 Date: 20-03-18 Scale: 3/4" = 1"
 File: SB4834LT-3d Drawn: AAJimenez



Phone: 604-854-5757
 Fax: 604-852-1850