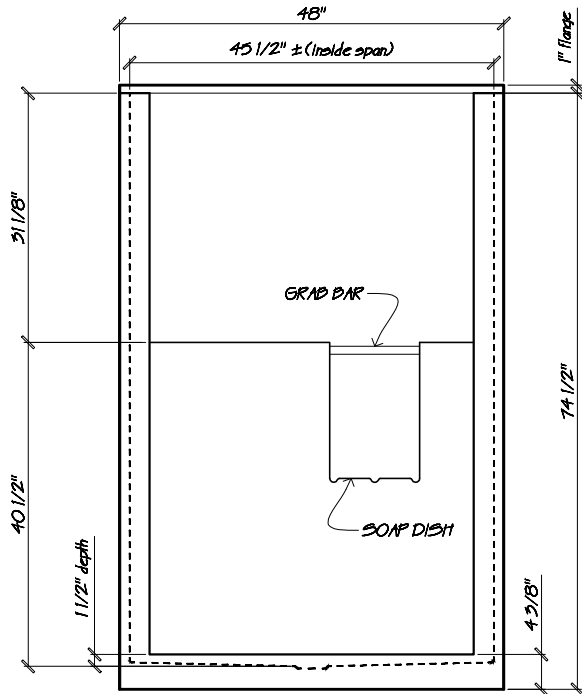
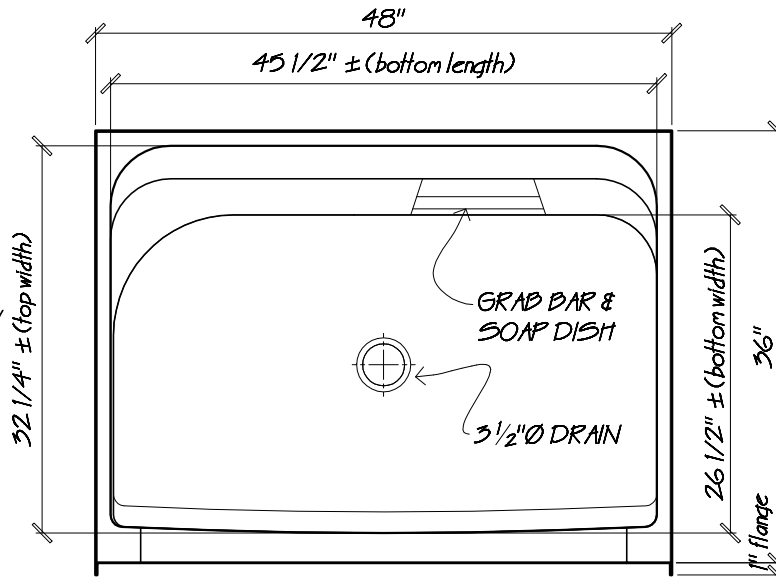


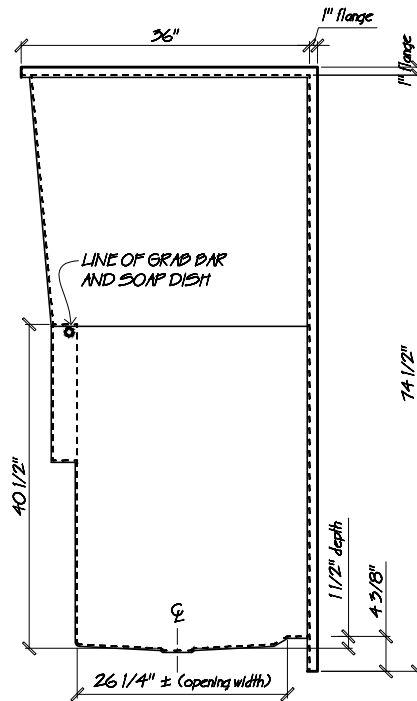
PLAN VIEW

scale: $\frac{3}{4}'' = 1''$



FRONT VIEW

scale: $\frac{1}{2}'' = 1''$



LEFT END VIEW

scale: $\frac{1}{2}'' = 1''$



Name: SS4836NS

Date: 18-06-18

Scale: as shown

File: SS4836NS

Drawn: AAJimenez



Phone: 604-854-5757

Fax: 604-852-1850